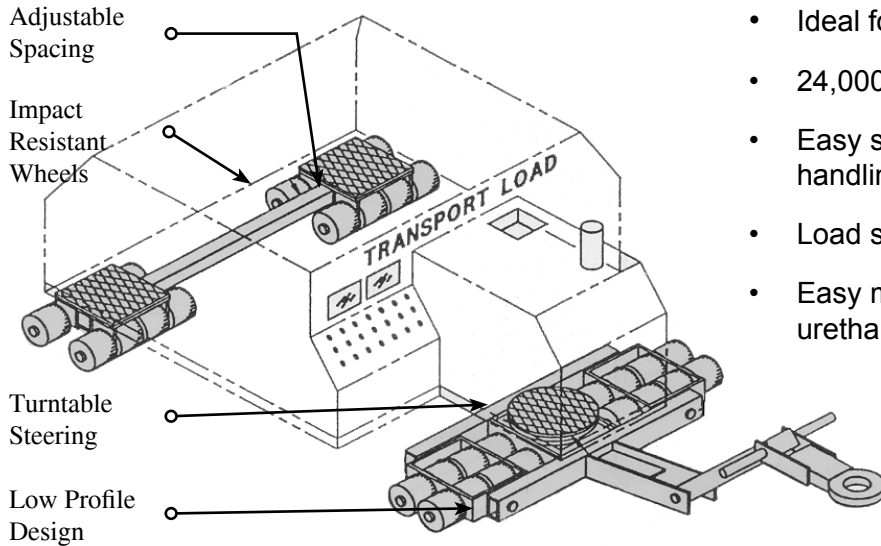




## Transport Dollies

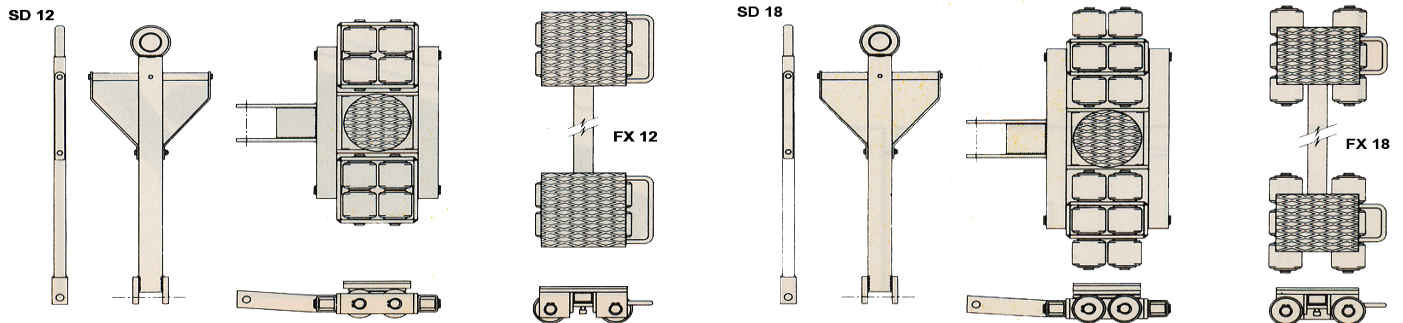
### Move Machinery and Heavy Industrial Loads with Safety and Ease

THE PERFECT ALTERNATIVE WHEN AIR BEARING TECHNOLOGY IS NOT A VIABLE SOLUTION TO YOUR LOAD MOVING NEEDS



- Ideal for accurate machine positioning
- 24,000 to 48,000 pound load capacities
- Easy steering with turntable and steering handling system
- Load stability by wide load-bearing surface
- Easy movement and low rolling resistance urethane wheels
- Low profile design with impact resistant wheels which will not damage floors

Typical drawings / diagrams showing turntable steering (SD) and rear adjustable (FX) dollies - sold as one of each in a set



#### SD 12 - Steerable Dollies

Maximum Load: 12,000 pounds  
Wheels: 8 each of 3½" x 3½"  
Non-skid turntable: 6¾" diameter  
Overall height: 4¼"

#### FX 12 - Rear Adjustable Dollies

Maximum Load: 12,000 pounds  
Wheels: 8 each of 3½" x 3½"  
Non-skid load pad: 2 x 8½" sq.  
Adjustable from: 20" to 50"

#### SD 18 - Steerable Dollies

Maximum Load: 18,000 pounds  
Wheels: 12 each of 3½" x 3½"  
Non-skid turntable: 6¾" diameter  
Overall height: 4¼"

#### FX 18 - Rear Adjustable Dollies

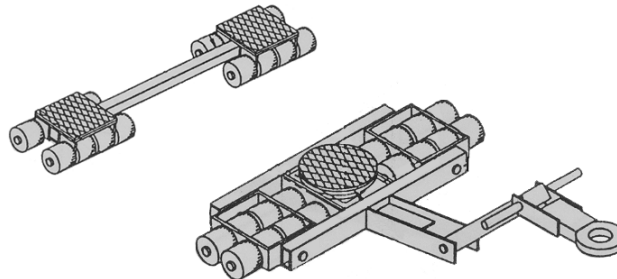
Maximum Load: 18,000 pounds  
Wheels: 12 each of 3½" x 3½"  
Non-skid load pad: 8½" x 5¼"  
Adjustable from: 20" to 63"

#### SD 24 - Steerable Dollies

Maximum Load: 24,000 pounds  
Wheels: 16 each of 3½" x 3½"  
Non-skid turntable: 6¾" diameter  
Overall height: 4¼"

#### FX 24 - Rear Adjustable Dollies

Maximum Load: 24,000 pounds  
Wheels: 16 each of 3½" x 3½"  
Non-skid load pad: 8½" x 8½" sq.  
Overall Height: 4¼"  
Adjustable from: 20" to 68"



Please note: all quotes will be for a "dolly set" including both SD and FX units. Dollies shown here have individual load capacities up to 24,000 pounds per FX or SD unit. For total load capacity of any set, add both SD & FX weights together. Example: a dolly 24 set would have a load capacity of 48,000 pounds (24 tons).